

VIRAVENT



DEAERATORS VERTICAL TYPE INSTALLATION & OPERATION INSTRUCTIONS

📍 Metal İş Sanayi Sitesi 11.Blok No:37/39
İkitelli - İstanbul / TURKEY

☎ 0212 549 57 70

☎ 0212 549 58 48

✉ info@viraisi.com

🌐 www.viraisi.com

ENG

Dear Customer,

Thank you for choosing our ViRATOP, ViRAVENT and ViRACLEAN product that is produced in our facilities with extreme care.

Mission of Vira Isı ve Endüstriyel Ürünler A.Ş. which manufactures with completely domestic capital and its own experience using the highest technology is to be the symbol of quality and reliability by offering the customers products and service in the world standards in an environmental conscious. Contact to Vira Isı ve Endüstriyel Ürünler A.Ş. if you have any problems. Vira Isı ve Endüstriyel Ürünler A.Ş. operation instructions includes specifications, functions, introductory information, operation and maintenance explanations of the appliance.

To use your appliance more efficiently make sure to read the operation instructions before operation.

In some sections of this manual the following signs have been

CAUTION : Requires special



WARNING : Must be carried out.

1-General Warnings

- ▲ It can be used for water and water/glycol mixtures (max. %50)
- ▲ Installation and maintenance may only be carried out by a qualified installer
- ▲ Incorrect installation or incompetent use or repairs may render the guarantee invalid.
- ▲ Your product is designed to separate air and/or dirt separators and/or hydraulic balancing tank. So, it must be connected to a heating/cooling system compliant with its power and performance.
- ▲ Touching the product in operation may cause burn.
- ▲ Always contact your installer in case of malfunction
- ▲ Not suited for outdoor use
- ▲ Damage or losses resulting from failures are not included in the guarantee.
- ▲ Guarantee is two years after the date of purchase.

2-Safety Precautions

- Do not use your product for the purposes it is not designed for.
- Do not use your product for drinking water, oil and dangerous or inflammable substances.
- When working on the ViRATOP, ViRAVENT and ViRACLEAN always ensure there is no pressure in the installation and let it cool down.
- Do not use the drain valve for (re) filling Smarttrap.
- Do not use the air drain valve for filling Smartvent.

3-Points That Should be Taken Into Considerations to Use Your Product

- Having the service of the appliance done can be efficient in energy saving.
- Use the proper water your installation.

4-Introduction of Your Products**4.1-Main Functions and Functioning Parts Of Your Products**

ViRAVENT : Your product is designed to as a deaerator.

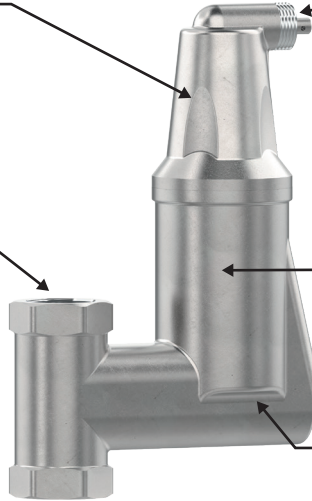
With the special design air vent no leakage and not plugging due to dirt are guaranteed.

1/2" male thread connection for pressure testing or remote venting of unwanted.

Screwed system connection 3/4" - 1" for horizontal installation.

MicroSmart design is the most important part of the system. Optimum separation of air and micro bubbles with very low flow resistance.

Long life and strong body.



5-Installation

ViRAVENT

- Drain the central heating system / cooling system.
- Fit the Viravent unit only on the primary boiler flow pipe for central heating installations.
- Install the Viravent unit only on the primary return pipe for cooling installations.
- The arrow on the unit indicates the direction that the water should flow through the unit.
- You can slide the pipe into the unit and then slide the unit across in the opposite direction and connect onto the pipe opposite.
- It is important that the pipe is fully inserted into this connection.
- Ensure the body of the Viravent is positioned vertically (see the drawings).
- The Viravent Microbubble Deaerator is fully automatic and will remove air and gas therefore no work is required to the unit after commissioning.
- Take care when touching the unit as it is a brass product and may become to hot to touch.

Figure 1

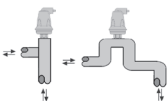
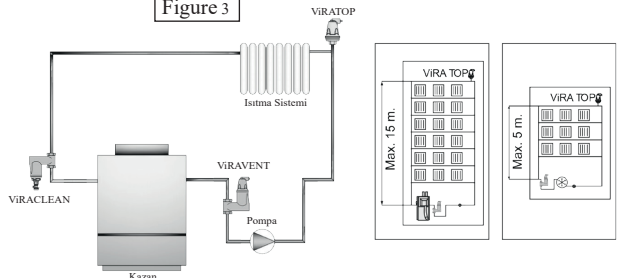


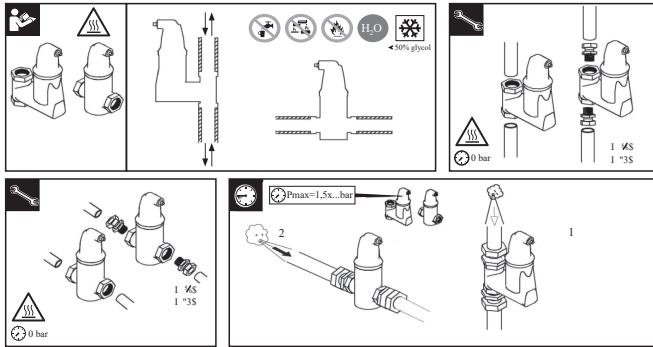
Figure 2



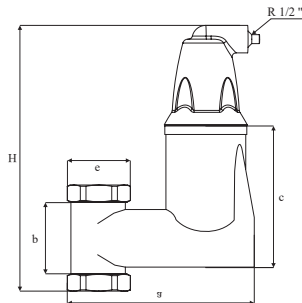
Figure 3



ViRAVENT and Operating Instruction



6-Technical Parameters



TYPE	d	H	a	b	c	e	Weight
	mm	mm	mm	mm	mm	inch	kg
SV-D-D	1"	210	135	60	114	1"	1,87

Note: Vira A.Ş. reserves the right to modify dimensions, material and design without warning.

Working Pressure	: 0-10 bar
Working Temperature	: 0-110 °C
Body	: Nickel
Float	: Polypropylene
Filters	: Stainless Steel

7-Guarantee

- 2 years after the date of purchase.
- Incorrect installation or incompetent use or repairs may render the guarantee invalid.
- Failures and defects arise from loading, unloading and transportation of the product after delivery to the customer are not included in the guarantee.
- Damage or losses resulting from failures are not included in the guarantee.